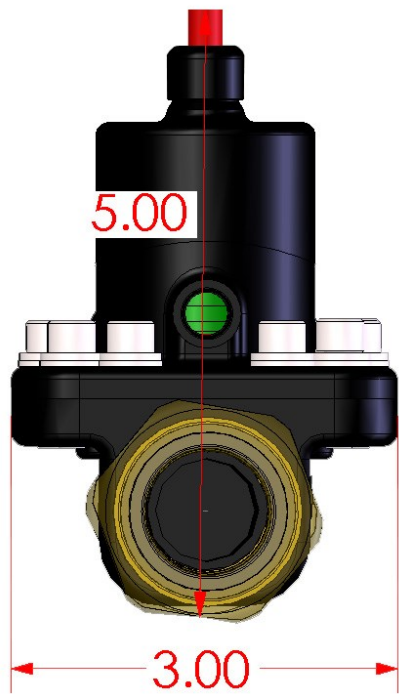
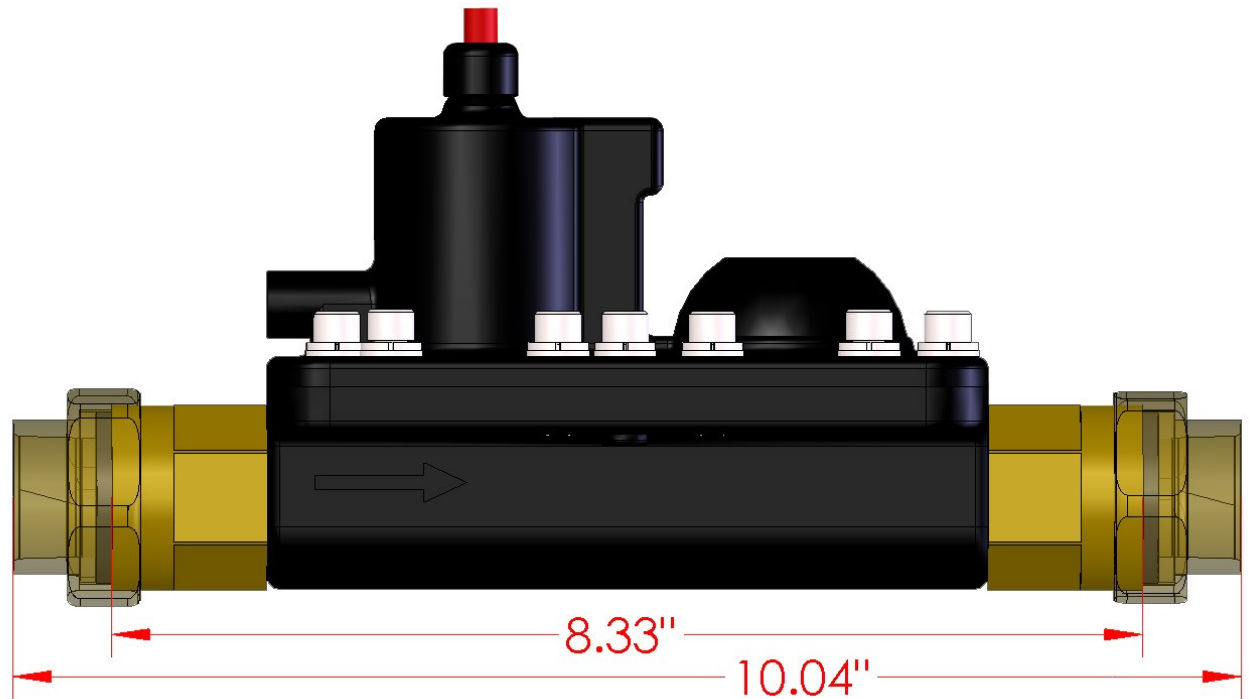


WHID DIMENSIONS



WHID FRONT VIEW



WHID SIDE VIEW